

Robin Industrial Engines®

PARTS MANUAL

Model

R1700i

Generator

PUB-GP6050
Rev. 05/04

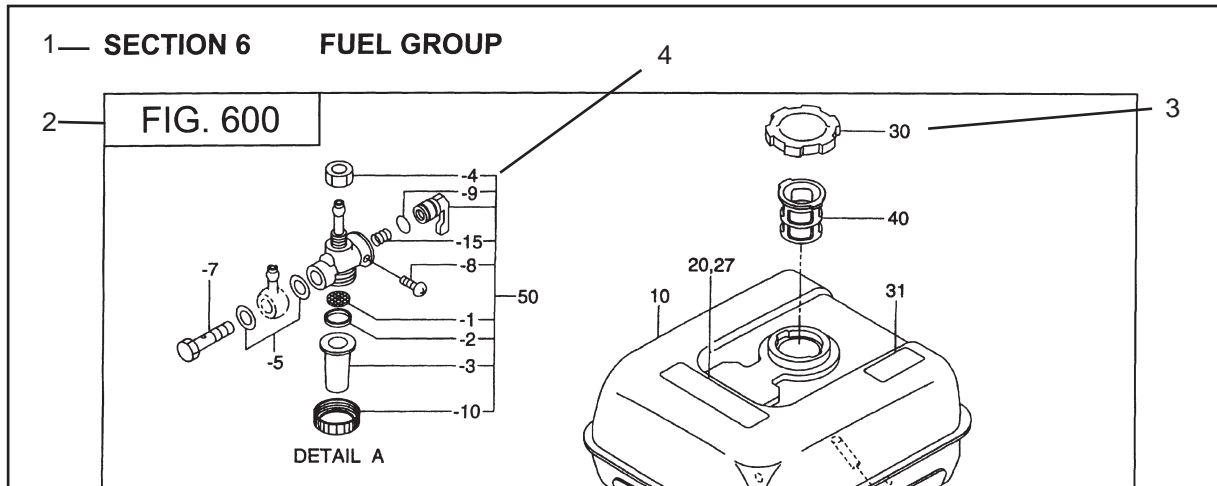
Robin
SUBARU

Robin America, Inc.

940 Lively Blvd. • Wood Dale, IL 60191 • Phone: 630-350-8200 • Fax: 630-350-8212
e-mail: sales@robinamerica.com • www.robinamerica.com

© Copyright 2004 Robin America, Inc.

MANUAL LAYOUT



REF.	PART NO.	DESCRIPTION	QTY.	REMARKS	FROM-TO	FIG.
10	267-60103-01	FUEL TANK CP	1	YD, YS TYPE, BLACK		600
	267-60101-01	FUEL TANK CP	1	YELLOW		600
27	073-20039-00	LABEL, WARNING	1	YD, YS TYPE		600
30	043-04300-15	FUEL TANK CAP CP	1			600
31	267-95201-03	LABEL, EMISSION	1	YD, YS TYPE		600
40	064-13600-10	FUEL FILTER	1			600
50	064-20021-01	FUEL STRAINER AY	1			600
-1	064-20002-20	FILTER	1			600
-2	064-20002-30	GASKET	1			600
-3	064-20019-10	CUP	1			600

1. SECTION NAME Parts are broadly classified according to their functions. Refer to the Group Index (table of contents) for respective section name.
2. FIG. No. The FIG. number indexes the reference and part numbers to the illustration. Figure numbers that vary only in the tens place (i.e.: 700 and 710) are in a group of the same section (i.e.: Electrical Device Group).
3. REF. No. The Reference number identifies the part illustration with the corresponding part number in the part list.
4. SUBASSEMBLY SUBASSEMBLY parts of part assembly are listed below the assembly part. The subassembly part reference number is indicated by the number led by "-" such as "-1", "-2".
5. PART NUMBER It is the number assigned for sales unit. Use the PART No. when making an order.
6. DESCRIPTION It is designation of the part.
7. QTY. Quantity of each part used for each product.
8. REMARKS This gives a distinctive feature and/or a supplementary comment for the type, the specification, and the part concerned. It also shows part number(s) interchangeable for the part.
9. FROM-TO This section shows the CODE No. to indicate the history of progress in which improved parts have been introduced in the product. The FROM-TO CODE No. helps to identify PART No. being employed in the product concerned. See the examples below:
 - The part is used in the product irrespective of CODE No.
 - 2101- The part is used in the products with CODE No. of 2101 and after this number.
 - 2100 The part is used in the products with CODE No. of 2100 and before this number.

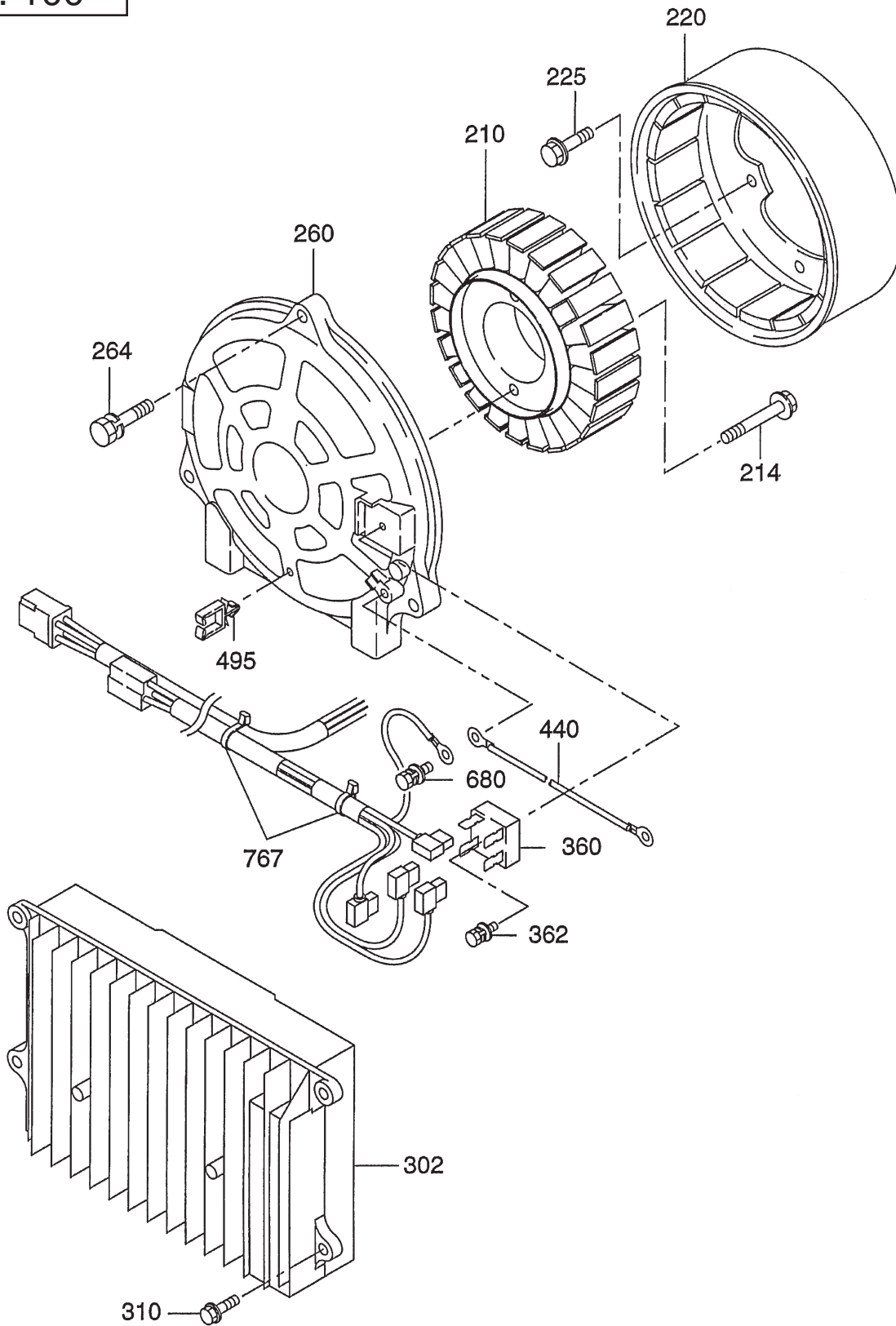
GROUP INDEX

Group Name	Page
GENERATOR	6
FRAME	8
CONTROLS.....	10
COVER.....	12
CRANKCASE GROUP	14
CRANKSHAFT GROUP	16
INTAKE and EXHAUST GROUP.....	18
GOVERNOR GROUP	20
COOLING and STARTING GROUP	22
FUEL, LUBRICANT GROUP	26
CARBURETOR GROUP	28
ELECTRIC DEVICE GROUP	30
ACCESSORY GROUP	32

INDEX OF DESCRIPTION SYMBOLS			
SYMBOL	DESCRIPTION	SYMBOL	DESCRIPTION
AY	ASSEMBLY	P=	PITCH (in mm)
CP.....	COMPLETE	P.T.O. (PTO)	POWER TAKE OFF
EX.....	EXPORT (from Japan)	REF.....	REFERENCE
FIG.....	FIGURE	R.H. (RH).....	RIGHT HAND SIDE
FR.....	FRONT	RR.....	REAR
"	INCH	STD.	STANDARD
INCL.	INCLUDE	SW.....	SWITCH
-L.....	LITER	T=	THICKNESS (in mm)
L=	LENGTH (in. mm)	UN	UNIT
L.H. (LH).....	LEFT-HAND SIDE	U.S.....	UNDER SIZE
MECH.....	MECHANICAL	~V	VOLTAGE
NO (NON).....	NONE	~W	WATT
OPT.....	OPTIONAL	W/	WITH
O.S.	OVER SIZE	W/O	WITHOUT

SECTION 1 GENERATOR GROUP

FIG. 100

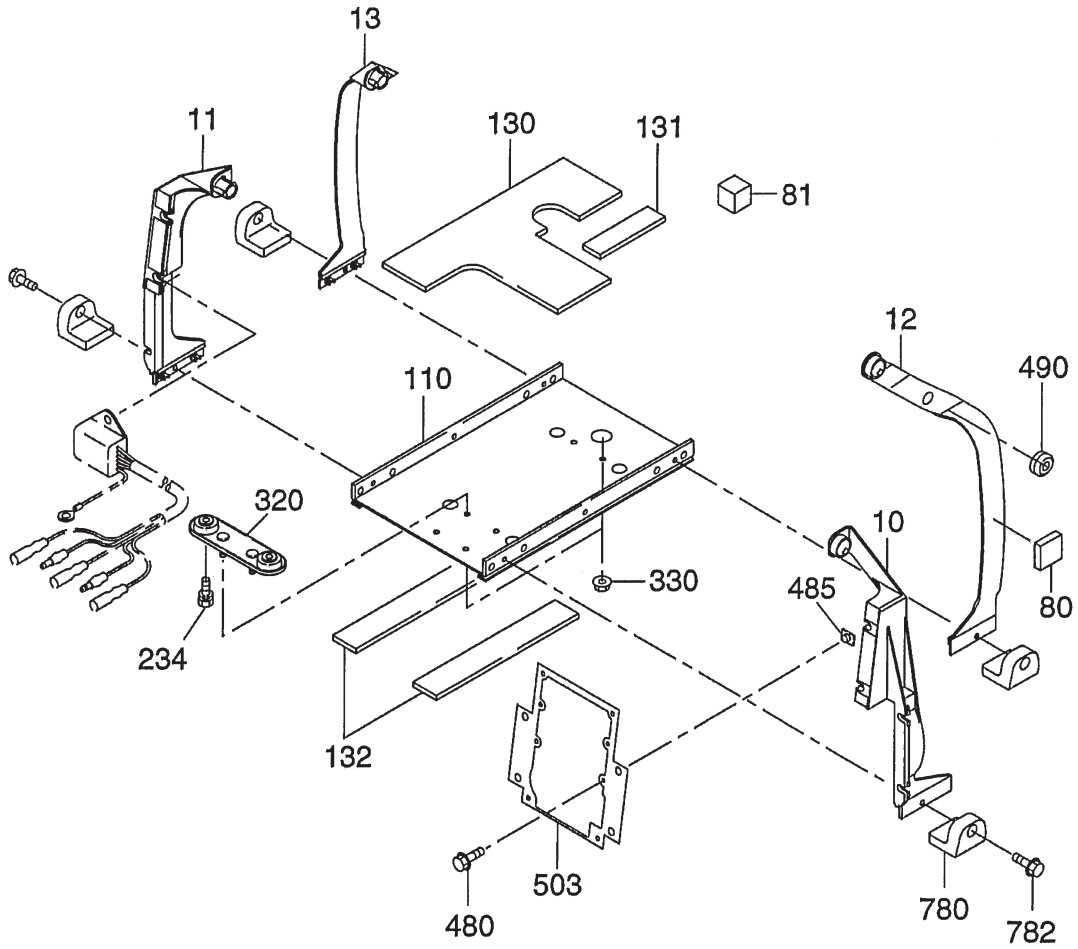


SECTION 1 GENERATOR GROUP

REF	PART NO	DESCRIPTION	QTY	REMARKS	FROM - TO	FIG
210	34K-20051-01	STATOR	1			100
214	34K-20902-08	FLANGE BOLT	2			100
220	34K-20061-01	ROTOR CP	1			100
225	001-04061-20	FLANGE BOLT	3			100
260	34K-20901-08	REAR COVER	1			100
264	011-00601-01	FLANGE BOLT	3			100
302	KU3-10301-21	INV & E/G C/U	1			100
310	011-00601-40	FLANGE BOLT	4			100
360	34K-20903-08	DIODE	1			100
362	34K-20904-08	SCREW	1			100
440	34K-41902-03	EARTH WIRE CP	1			100
495	34K-20906-08	CLAMP	1			100
680	34K-20905-08	SCREW	1			100
767	34K-20907-08	BAND	2			100

SECTION 2 FRAME GROUP

FIG. 200

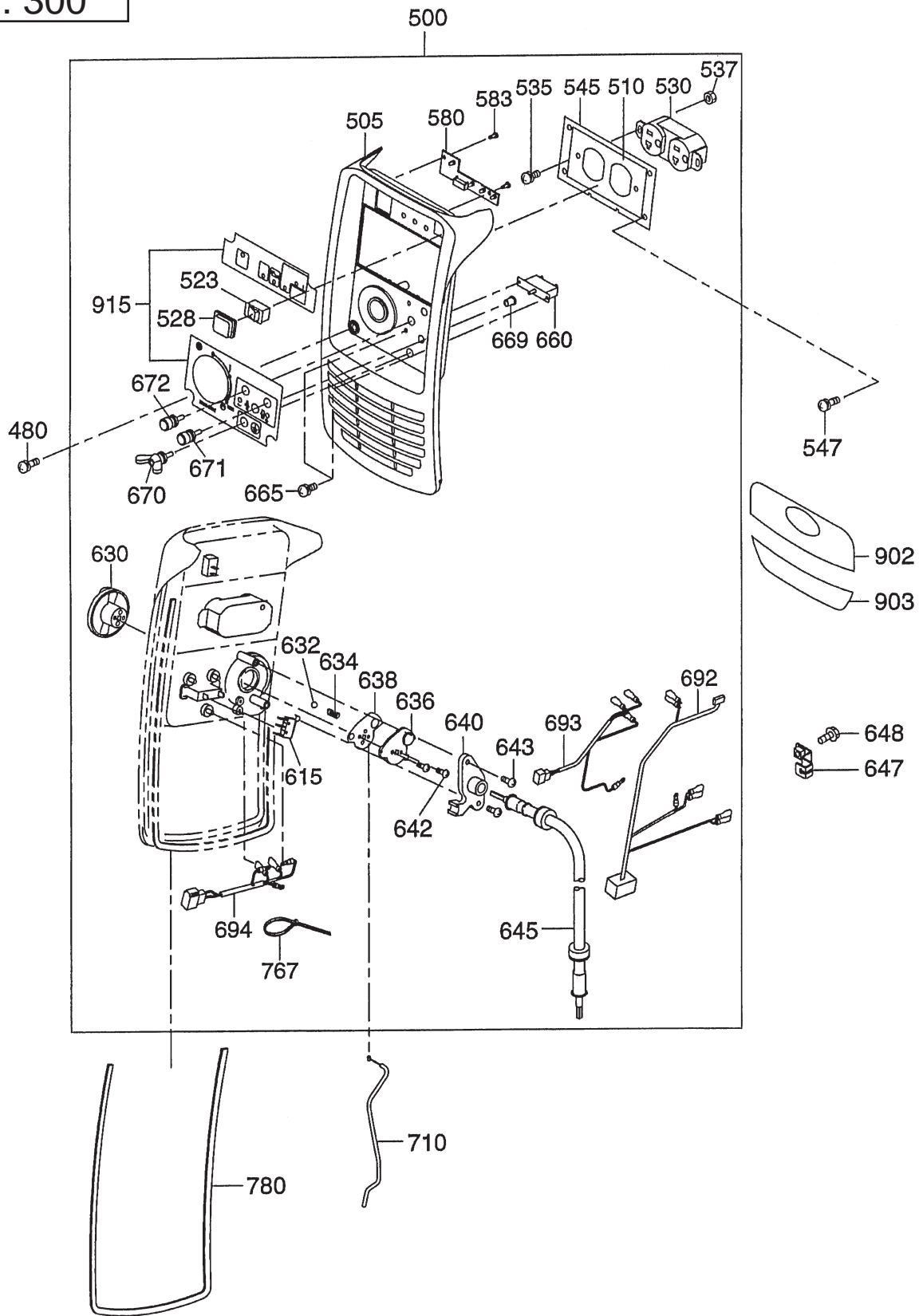


SECTION 2 FRAME GROUP

REF	PART NO	DESCRIPTION	QTY	REMARKS	FROM - TO	FIG
10	33K-37101-03	FRONT FRAME, R	1			200
11	33K-37201-03	FRONT FRAME, L	1			200
12	33K-37301-03	REAR FRAME, R	1			200
13	33K-37401-03	REAR FRAME, L	1			200
80	33K-58413-03	SPONGE , R frame	1			200
81	33K-58414-03	SPONGE, R frame 2	2			200
110	33K-30601-23	BASE	1			200
130	33K-58310-03	SPONGE BASE	1			200
131	33K-58311-03	SPONGE BASE 2	1			200
132	33K-58320-03	SPONGE BASE 3	2			200
234	001-14082-00	BOLT and WASHER AY	4			200
320	33K-30101-01	MOUNT BASE CP	2			200
330	002-38060-00	FLANGE NUT	4			200
480	011-00600-20	FLANGE BOLT	4			200
485	33K-38001-03	NUT	5			200
490	33K-38005-03	GROMMET, R frame	2			200
503	33K-37601-03	BACK PANEL	1			200
780	33K-36101-01	MOUNT CP	4			200
782	011-00601-80	FLANGE BOLT	4			200

SECTION 3 CONTROL GROUP

FIG. 300

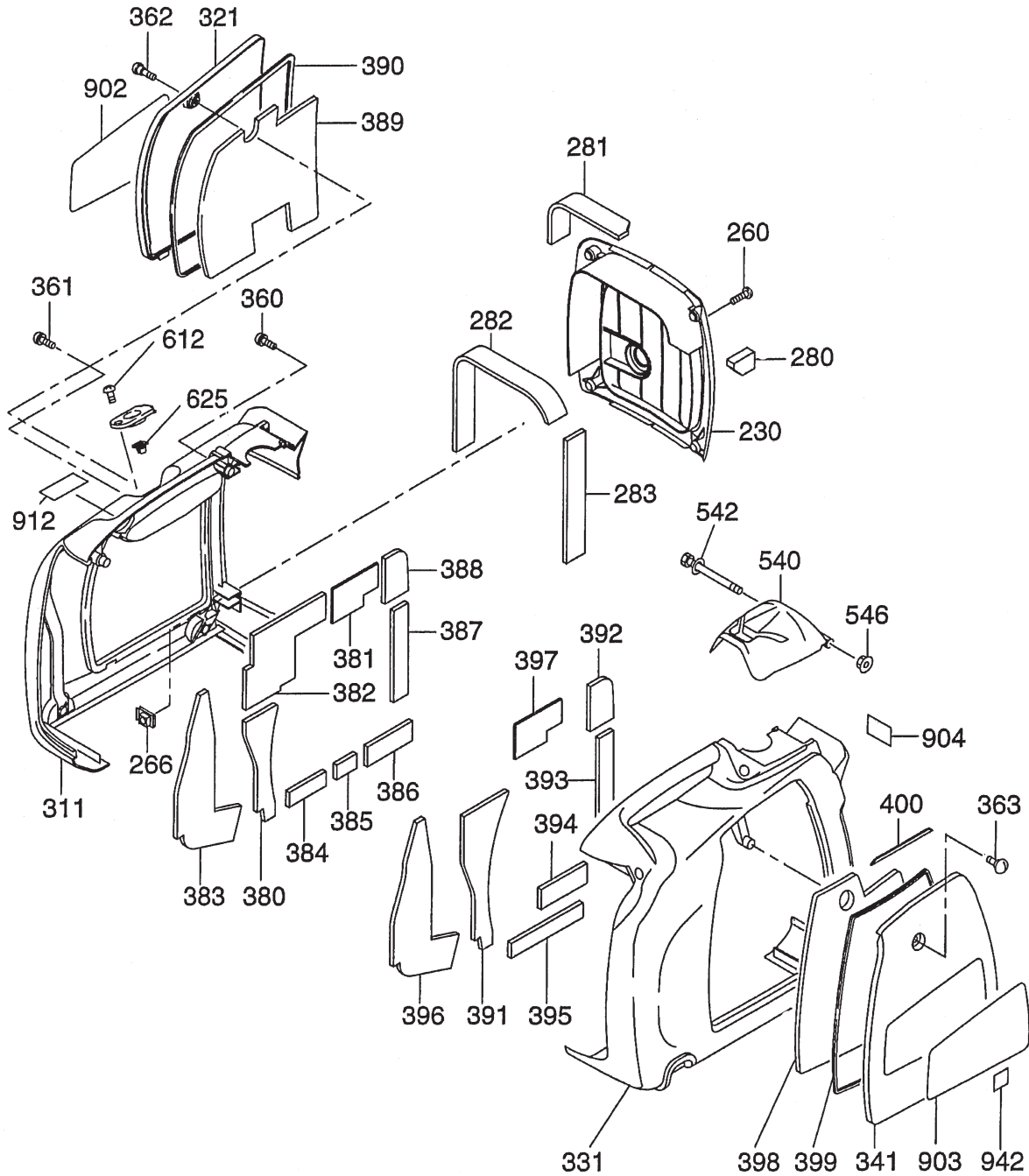


SECTION 3 CONTROL GROUP

REF	PART NO	DESCRIPTION	QTY	REMARKS	FROM - TO	FIG
480	014-00501-00	SCREW	4			300
500	33K-40031-50	CONTROL PANEL AY	1			300
505	33K-40101-03	FRONT PANEL	1			300
510	33K-41905-03	FILM	1			300
523	34K-41812-03	ROCKER SWITCH	1			300
528	33K-41813-03	SWITCH COVER	1			300
530	391-47000-03	AC RECEPTACLE	1			300
535	351-49920-08	SCREW and WASHER AY	2			300
537	002-17040-00	NUT	2			300
545	33K-40700-03	CONSENT BRACKET	1			300
547	013-10400-60	SCREW and WASHER AY	4			300
580	KD3-11011-11	OIL and RUN INDICATOR	1			300
583	015-00300-20	TAPPING SCREW	2			300
615	33K-41811-03	MICRO SWITCH	1			300
630	33K-42010-03	CONTROL DIAL	1			300
632	33K-42071-03	BALL, dial	1			300
634	33K-42074-03	SPRING, dial	1			300
636	33K-42020-03	CHOKE REEL	1			300
638	33K-42030-13	PLATE	1			300
640	33K-42040-03	WIRE PLATE	1			300
642	015-00400-70	TAPPING SCREW	2			300
643	33K-41814-08	TAPPING SCREW	2			300
645	33K-42050-11	ROLLING WIRE CP	1			300
647	33K-42080-03	CHOKE BRACKET	1			300
648	011-00600-10	FLANGE BOLT	1			300
660	33K-41833-03	CIRCUIT BREAKER	1			300
665	013-10300-10	SCREW and WASHER AY	2			300
669	33K-41817-03	BREAKER CP	2			300
670	33K-42090-01	TERMINAL BOLT	1			300
671	363-45701-08	TERMINAL BOLT, Red 20A	1			300
672	363-45700-08	TERMINAL BOLT, Bik 20A	1			300
692	33K-41817-13	PANEL HARNESS	1			300
693	33K-41815-01	ENGINE HARNESS	1			300
694	34K-41816-13	DC OUT HARNESS	1			300
710	33K-42060-21	CHOKE WIRE	1			300
767	056-30000-20	WIRE BAND	1			300
780	33K-58411-03	SEAL SPONGE	1			300
902	34K-49511-03	LABEL, front	1			300
903	34K-95101-03	LABEL 2, front	1			300
915	34K-41852-03	FILM INV	1			300

SECTION 4 COVER GROUP

FIG. 400

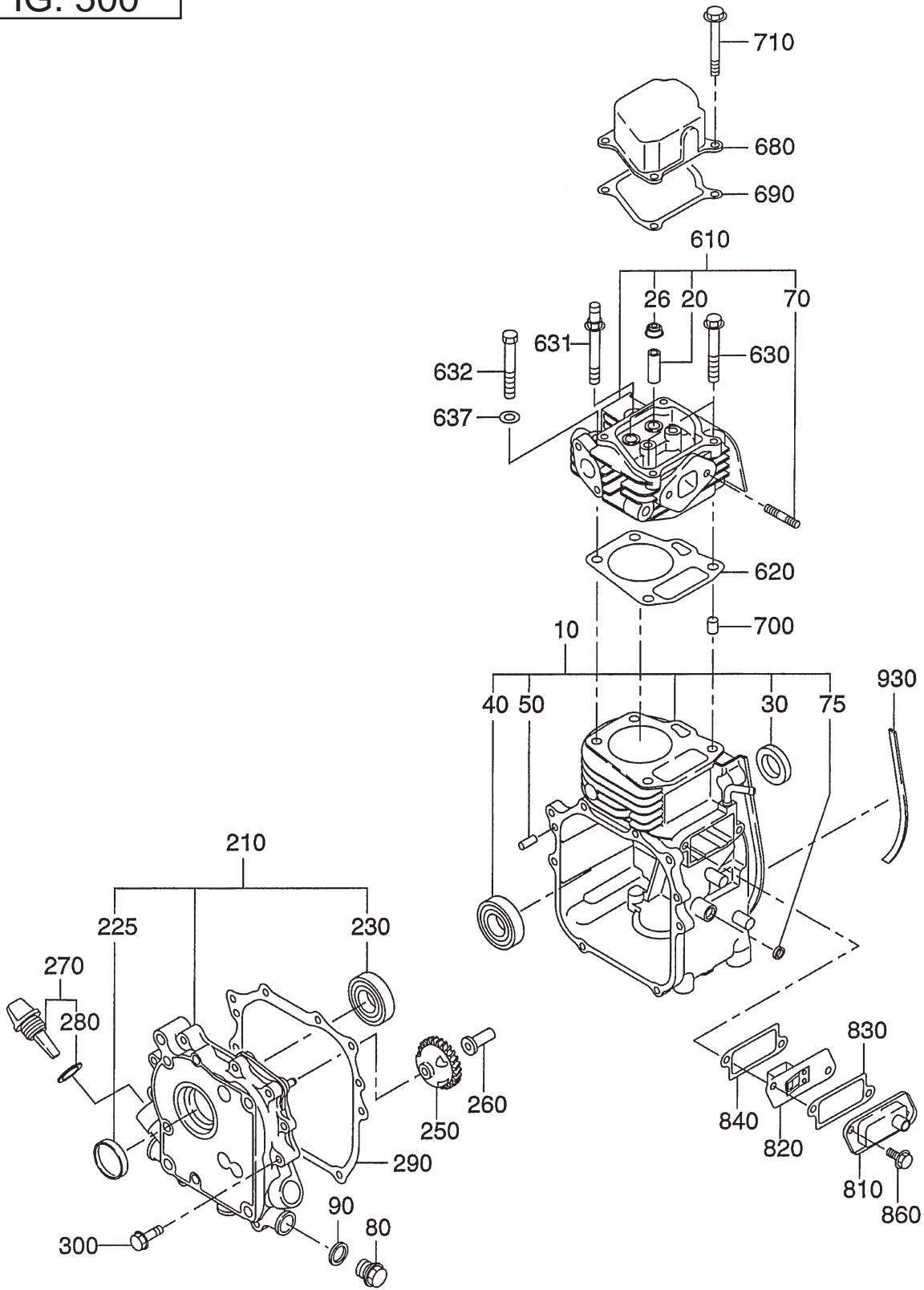


SECTION 4 COVER GROUP

REF	PART NO	DESCRIPTION	QTY	REMARKS	FROM - TO	FIG
230	33K-50201-03	REAR COVER	1			400
260	013-10600-30	SCREW and WASHER	4			400
266	33K-50205-01	NUT	4			400
280	33K-58318-13	REAR COVER SPONGE 1	2			400
281	33K-58319-13	REAR COVER SPONGE 2	1			400
282	33K-88322-03	REAR COVER SPONGE 3	1			400
283	33K-58324-03	REAR COVER SPONGE 4	1			400
311	33K-50301-13	CASE BODY, L	1			400
321	33K-50311-03	SIDE PANEL, L	1			400
331	33K-50401-13	CASE BODY, R	1			400
341	33K-50411-03	SIDE PANEL, R	1			400
360	004-36062-50	SCREW and WASHER	2			400
361	004-36062-00	SCREW and WASHER	1			400
362	33K-50501-03	BOLT, panel	1			400
363	33K-50501-03	BOLT, panel	1			400
380	33K-58301-03	SPONGE CASE, L	1			400
381	33K-58307-03	SPONGE CASE, L 5	1			400
382	33K-58305-03	SPONGE CASE, L 3	1			400
383	33K-58304-03	SPONGE CASE, L 2	1			400
384	33K-58308-03	SPONGE CASE, L 6	1			400
385	33K-58309-03	SPONGE CASE, L 7	1			400
386	33K-58408-03	SPONGE CASE, R 6	1			400
387	33K-58409-03	SPONGE CASE, R7	1			400
388	33K-58306-03	SPONGE CASE, L4	1			400
389	33K-58302-03	SPONGE PANEL, L	1			400
390	33K-58303-03	SEAL SPONGE, L	1			400
391	33K-58401-03	SPONGE CASE, R	1			400
392	33K-58406-03	SPONGE CASE, R 4	1			400
393	33K-58409-03	SPONGE CASE, R 7	1			400
394	33K-58408-03	SPONGE CASE, R 6	1			400
395	33K-58407-03	SPONGE CASE, R5	1			400
396	33K-58404-03	SPONGE CASE, R 2	1			400
397	33K-58405-03	SPONGE CASE, R 3	1			400
398	33K-58402-03	SPONGE PANEL, R	1			400
399	33K-58403-03	SEAL SPONGE, R	1			400
400	33K-58410-03	SEAL SPONGE, R 2	1			400
540	33K-55001-13	TANK CAP COVER	1			400
542	013-10400-91	SCREW and WASHER	1			400
546	018-00400-00	FLANGE NUT	1			400
612	015-00400-90	TAPPING SCREW	1			400
625	33K-53002-03	SCREW GROMMET	1			400
902	33K-91202-13	LABEL, Model (L)	1			400
903	33K-91201-13	LABEL, Model (R)	1			400
904	33K-91602-13	LABEL, Specification	1			400
912	33K-94002-03	LABEL, Caution	1			400
942	073-20045-20	LABEL, Oil caution	1			400

SECTION 5 CRANKCASE GROUP

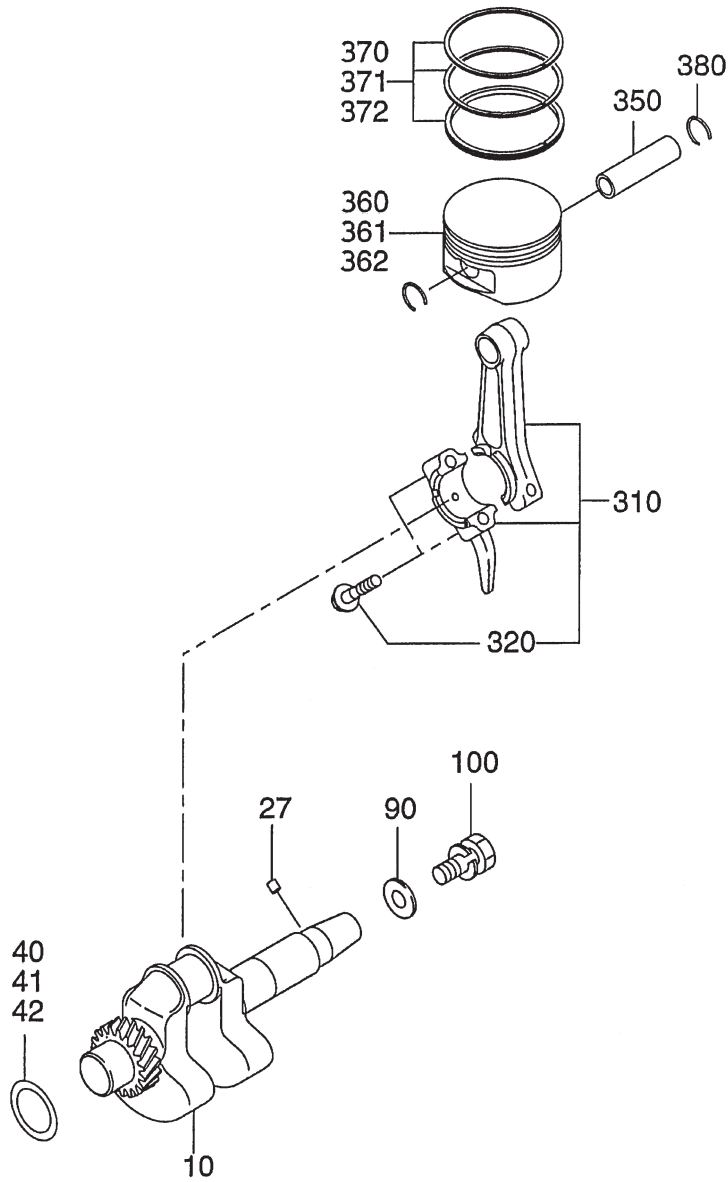
FIG. 500



SECTION 5 CRANKCASE GROUP

REF	PART NO	DESCRIPTION	QTY	REMARKS	FROM - TO	FIG
10	284-10103-01	CRANKCASE	1			500
20	237-14202-03	VALVE GUIDE	2			500
26	277-16010-01	STEM SEAL	1			500
30	044-02000-70	OIL SEAL	1			500
40	060-02001-40	BALL BEARING	1			500
50	031-00600-20	DOWEL PIN	2			500
70	010-50604-20	STUD	2			500
75	044-00600-20	OIL SEAL	1			500
80	040-11400-30	PLUG	1			500
90	021-11400-20	GASKET	1			500
210	284-11201-11	MAIN BEARING COVER	1			500
225	230-17102-03	PLUG, rubber	1			500
230	060-02001-40	BALL BEARING	1			500
250	284-45003-01	GOVERNOR GEAR CP	1			500
260	205-41901-03	GOVERNOR SLEEVE	1			500
270	230-63601-01	OIL GAUGE CP	1			500
280	021-31600-20	GASKET	1			500
290	284-16003-03	GASKET, bearing cover	1			500
300	011-00601-01	FLANGE BOLT	8			500
610	284-13003-01	CYLINDER HEAD CP	1			500
620	284-15001-13	GASKET, head	1			500
630	011-00802-10	FLANGE BOLT	2			500
631	011-00803-01	FLANGE BOLT	1			500
632	010-00804-20	BOLT	1			500
637	020-00802-10	WASHER	1			500
680	284-15501-03	ROCKER COVER	1			500
690	284-16004-03	GASKET, rocker cover	1			500
700	277-15011-03	PIPE KNOCK	2			500
710	011-00604-20	FLANGE BOLT	4			500
810	284-14301-01	BREATHER COVER CP	1			500
820	284-14401-01	BREATHER PLATE CP	1			500
830	230-16006-13	GASKET, tappet cover	1			500
840	230-16007-03	GASKET, breather	1			500
860	011-00600-20	FLANGE BOLT	2			500
930	33K-58317-03	SPONGE CRANK	1			500
960	284-99002-17	GASKET SET	1			500

FIG. 600

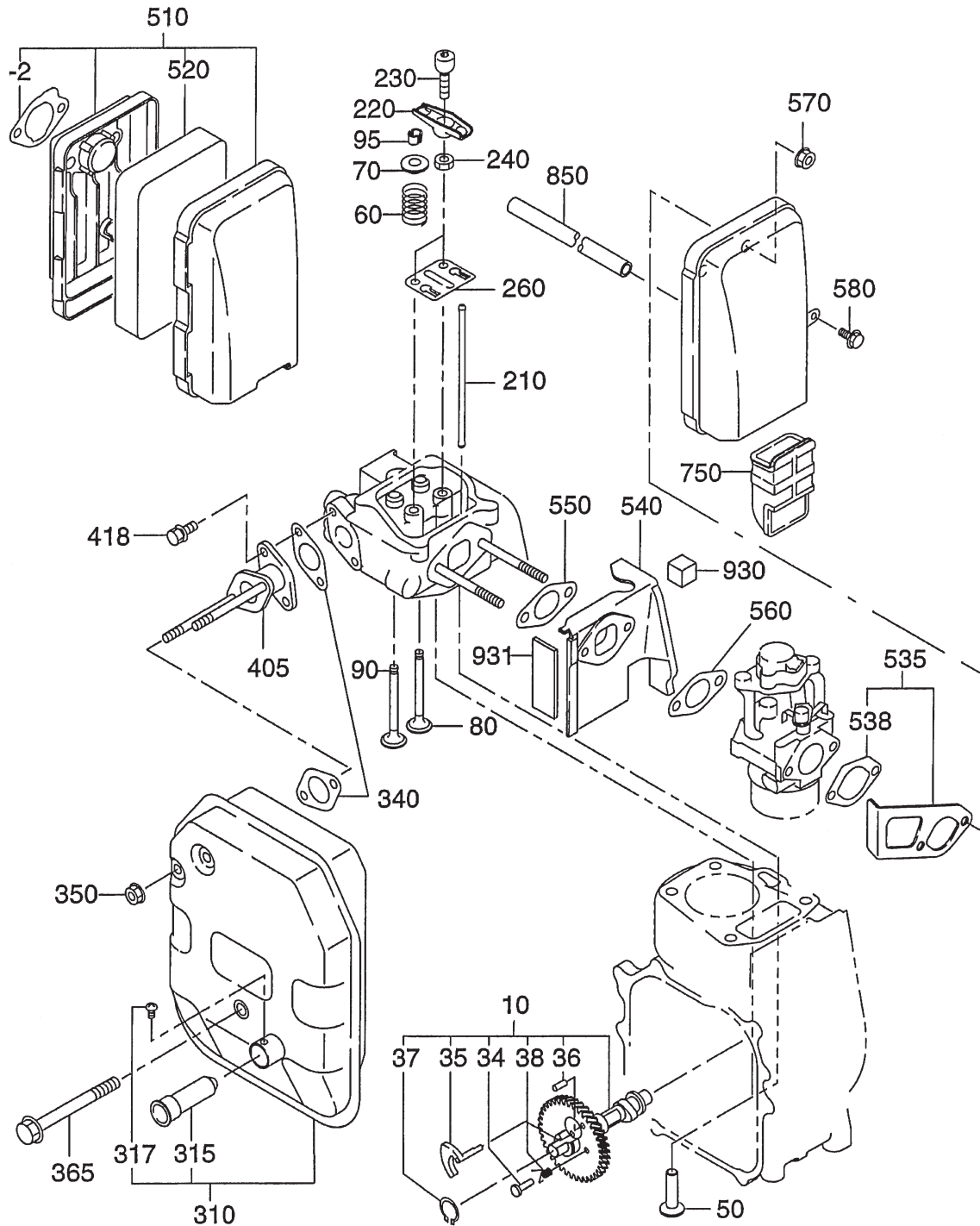


SECTION 6 CRANKSHAFT, PISTON GROUP

REF	PART NO	DESCRIPTION	QTY	REMARKS	FROM - TO	FIG
10	284-20501-01	CRANK SHAFT CP	1			600
27	031-00400-10	DOWEL PIN	1			600
40	023-02001-00	SPACER	1	T=0.8		600
41	023-02001-10	SPACER	1	T=1.0		600
42	023-02001-20	SPACER	1	T=1.2		600
310	284-22501-20	CONNECTING ROD AY	1			600
320	284-23001-03	CONNECTING ROD BOLT	2			600
350	230-23301-03	PISTON PIN	1			600
360	284-23401-03	PISTON	1	STD		600
361	284-23402-03	PISTON	1	Oversize 0.25		600
362	284-23403-03	PISTON	1	Oversize 0.50		600
370	284-23501-07	PISTON RING SET	1	STD		600
371	274-23502-07	PISTON RING SET	1	Oversize 0.25		600
372	274-23503-07	PISTON RING SET	1	Oversize 0.50		600
380	056-51100-70	CLIP	2			600

SECTION 7 INTAKE and EXHAUST GROUP

FIG. 700

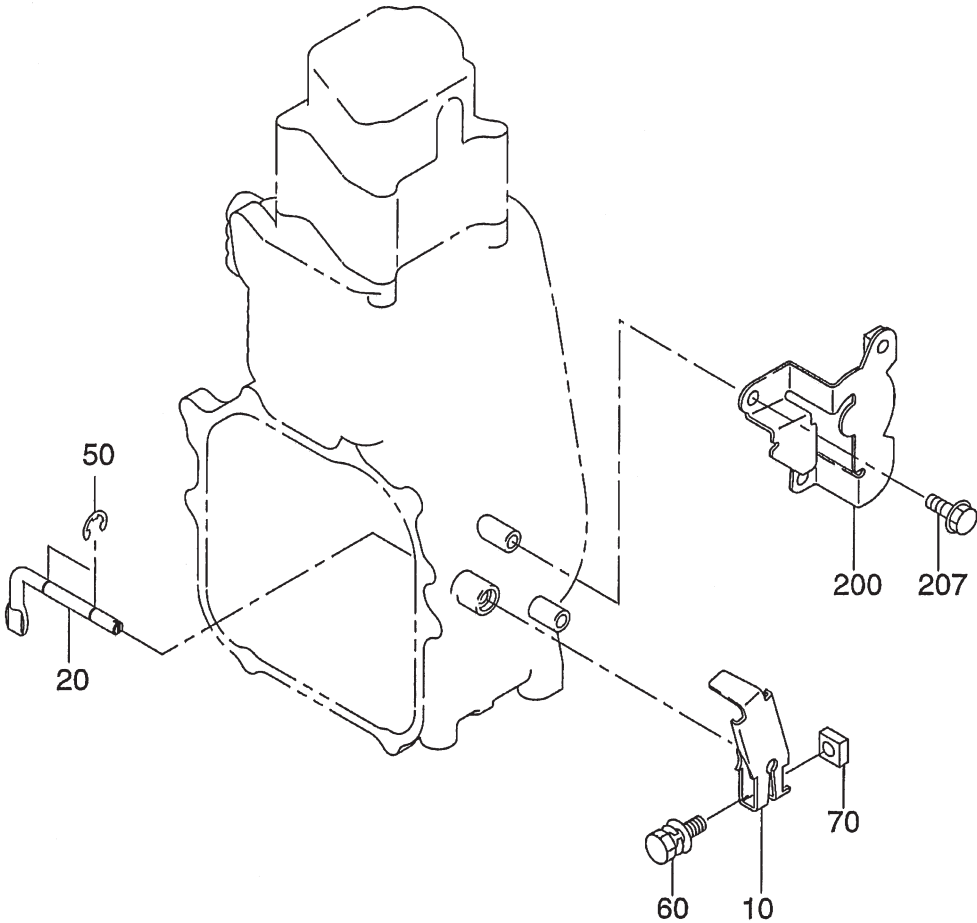


SECTION 7 INTAKE and EXHAUST GROUP

REF	PART NO	DESCRIPTION	QTY	REMARKS	FROM - TO	FIG
10	284-31701-11	CAMSHAFT	1			700
34	227-38601-23	PIN, spring	1			700
35	284-36401-03	RELEASE LEVER	1			700
36	005-19041-00	SPRING PIN	1			700
37	003-15170-00	SNAP RING, outer	1			700
38	274-38701-23	RETURN SPRING	1			700
50	274-33301-03	TAPPET	2			700
60	274-33601-03	VALVE SPRING	2			700
70	274-33702-03	SPRING RETAINER	2			700
80	274-33401-03	INTAKE VALVE	1			700
90	274-33501-03	EXHAUST VALVE	1			700
95	132-10KA0-31	COLLET VALVE	4			700
210	274-35301-03	PUSH ROD	2			700
220	274-36003-03	ROCKER ARM	2			700
230	269-35801-03	BOLT, pivot	2			700
240	017-00600-90	NUT	2			700
260	274-36501-03	GUIDE PLATE	1			700
310	284-30201-20	MUFFLER AY	1			700
315	269-37601-01	SPARK ARRESTOR	1			700
317	015-00400-60	TAPPING SCREW	1			700
340	230-35204-01	GASKET, exhaust	2			700
350	018-00600-30	FLANGE NUT	2			700
365	011-00801-10	FLANGE BOLT	1			700
405	284-34101-03	EXHAUST PIPE	1			700
418	001-14061-60	BOLT and WASHER	2			700
510	284-32630-00	AIR CLEANER	1			700
-2	227-36004-13	PACKING	1			700
520	284-32631-08	ELEMENT	1			700
535	284-32904-01	STAY BAFFLE	1			700
538	277-46701-03	GASKET, choke	1			700
540	284-32903-03	INSULATOR	1			700
550	227-35902-03	GASKET 2, insulator	1			700
560	236-35903-03	GASKET 2, insulator	1			700
570	002-38060-00	FLANGE NUT	2			700
580	011-00601-80	FLANGE BOLT	1			700
750	284-32101-03	DUCT	1			700
850	085-10800-00	RUBBER PIPE	1			700
930	33K-58315-13	SPONGE INSULATOR	1			700
931	33K-58321-13	SPONGE INSULATOR 2	1			700

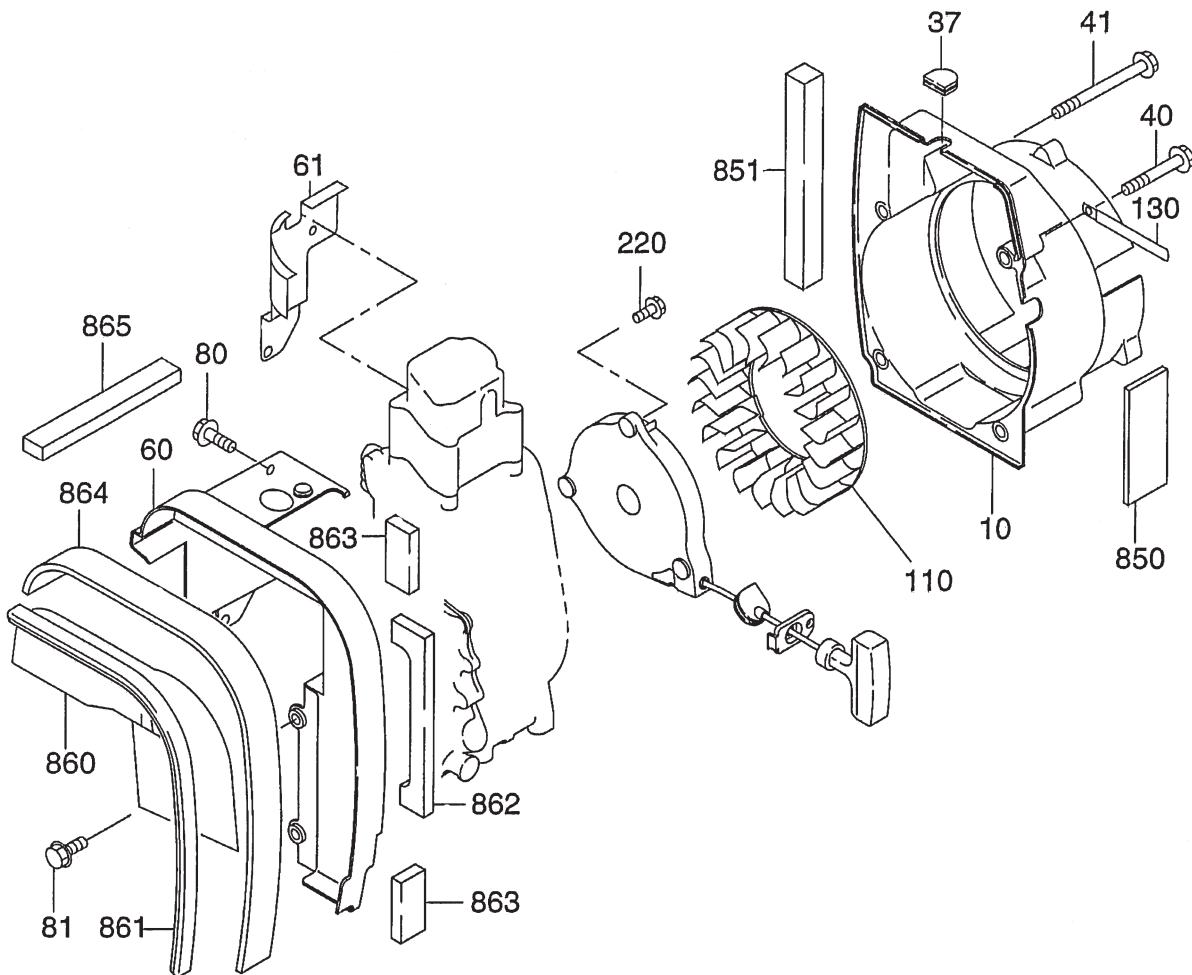
SECTION 8 GOVERNOR GROUP

FIG. 800



SECTION 9 COOLING and STARTING GROUP

FIG. 900

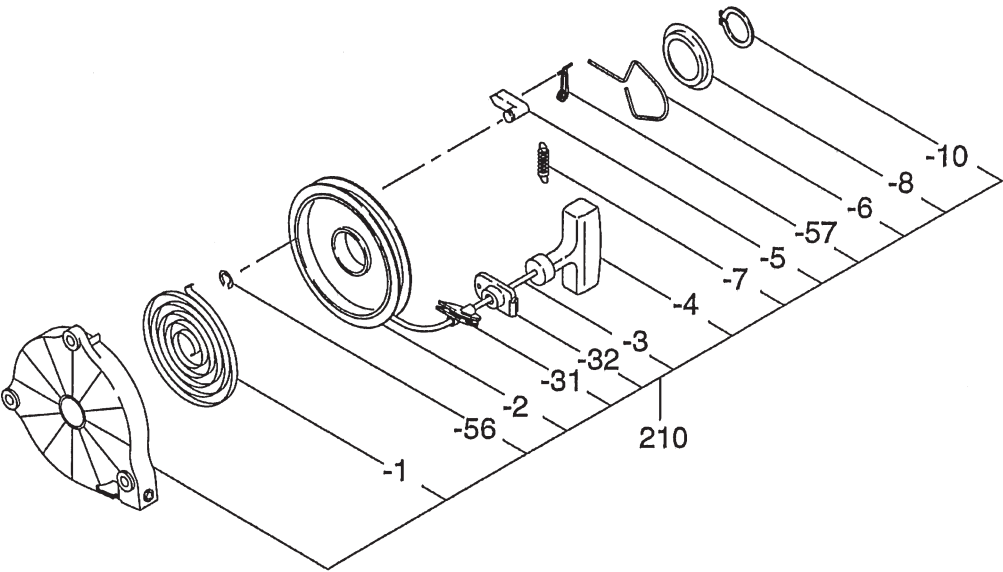


SECTION 9 COOLING and STARTING GROUP

REF	PART NO	DESCRIPTION	QTY	REMARKS	FROM - TO	FIG
10	284-51201-03	BLOWER HOUSING	1			900
37	284-55501-03	GROMMET	1			900
40	011-00801-60	FLANGE BOLT	1			900
41	011-00803-02	FLANGE BOLT	3			900
60	284-53601-01	CYLINDER BAFFLE CP	1			900
61	284-53603-03	CYLINDER BAFFLE (E/G)	1			900
80	011-00801-50	FLANGE BOLT	3			900
81	011-00600-20	FLANGE BOLT	1			900
110	284-54201-13	COOLING FAN	1			900
130	056-60002-60	CLAMP	1			900
220	011-00601-40	FLANGE BOLT	3			900
850	34K-40102-03	SEAL PLATE	2			900
851	284-51203-03	SEAL SPONGE	1			900
860	284-53606-13	INSULATION SEAT	1			900
861	284-53605-03	SEAL RUBBER	1			900
862	284-53609-03	SEAL SPONGE BAFFLE 2	1			900
863	284-53610-03	SEAL SPONGE BAFFLE 3	2			900
864	33K-58323-03	SPONGE BAFFLE 4	1			900
865	284-53608-03	SEAL SPONGE BAFFLE	1			900

SECTION 9 COOLING and STARTING GROUP

FIG. 910

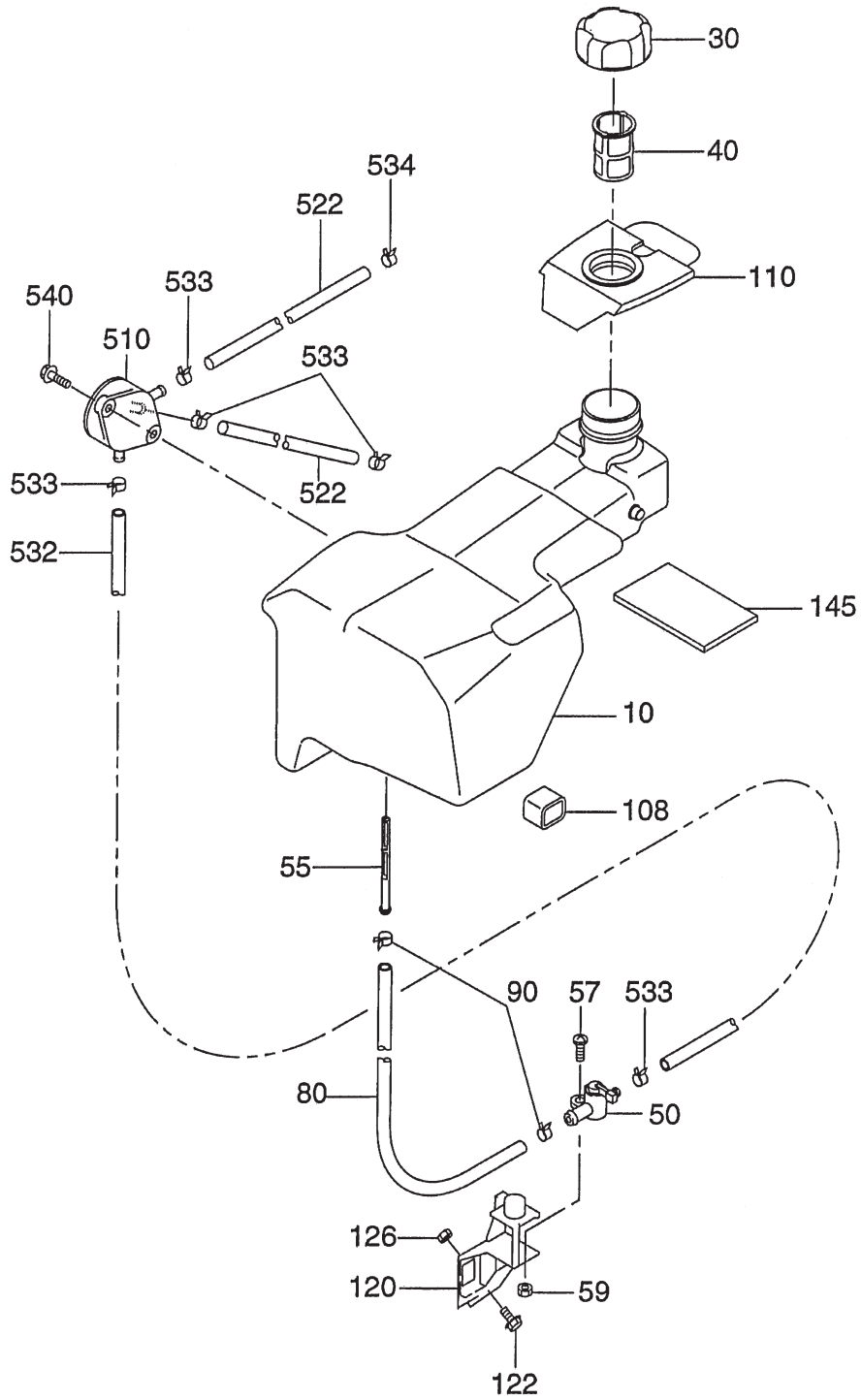


SECTION 9 COOLING and STARTING GROUP

REF	PART NO	DESCRIPTION	QTY	REMARKS	FROM - TO	FIG
210	284-50221-10	RECOIL AY	1			910
-1	284-50224-08	SPIRAL SPRING	1			910
-2	284-50222-08	REEL	1			910
-3	284-50233-08	STARTER ROPE	1			910
-4	530-50021-10	STARTER KNOB	1			910
-5	284-50223-08	RATCHET	1			910
-6	284-50226-08	FRICTION SPRING	1			910
-7	284-50227-08	RETURN SPRING	1			910
-8	284-50225-18	FRICTION SPRING	1			910
-10	284-50231-08	RETAINING RING (C Type)	1			910
-31	284-56101-03	ROPE GUIDE	1			910
-32	33K-53001-03	GUIDE CP	1			910
-56	284-50229-08	RETAINING RING (E Type)	1			910
-57	284-50228-08	RATCHET GUIDE	1			910

SECTION 10 FUEL GROUP

FIG. 1000

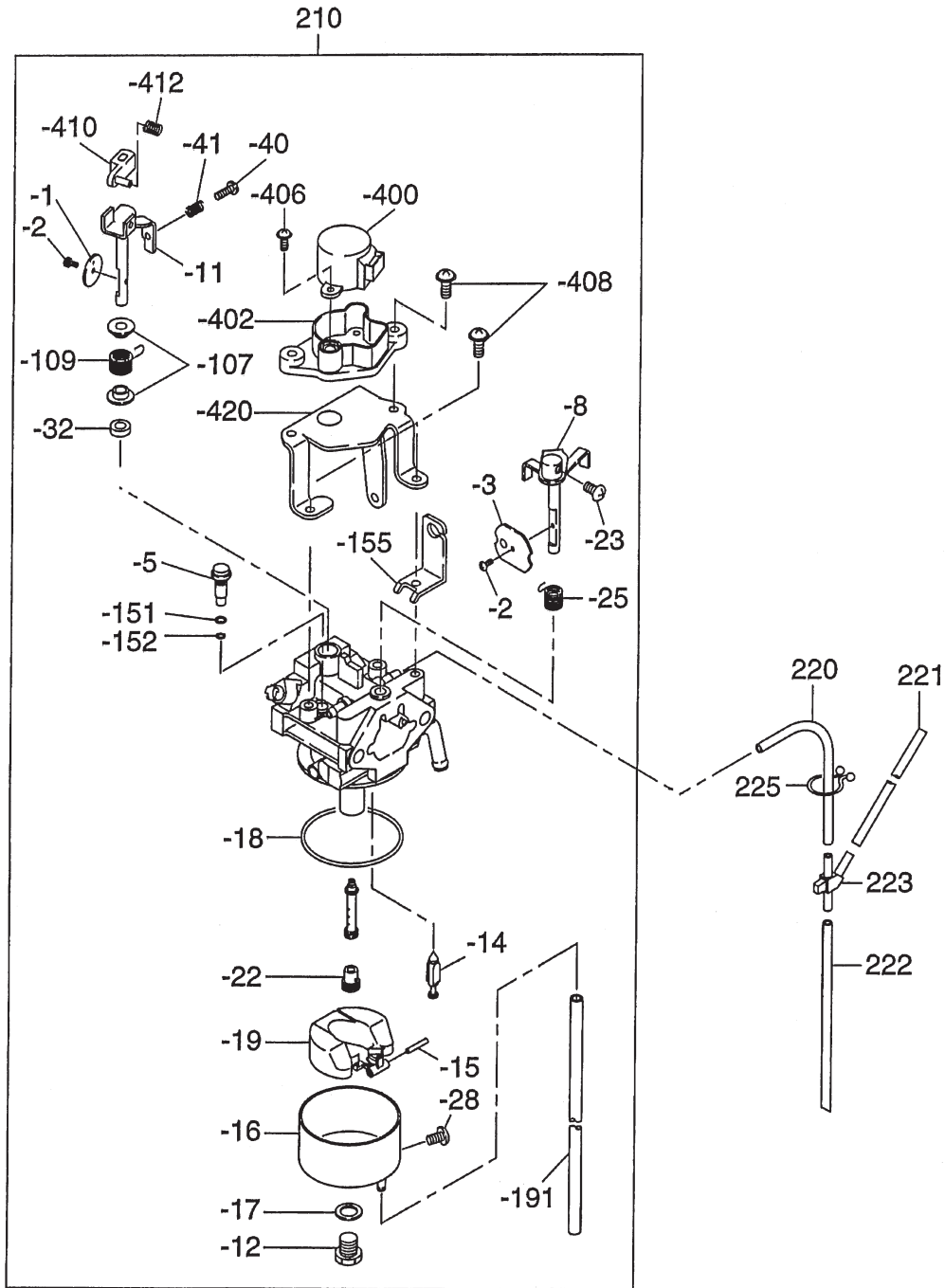


SECTION 10 FUEL GROUP

REF	PART NO	DESCRIPTION	QTY	REMARKS	FROM - TO	FIG
10	33K-61101-12	FUEL TANK	1			1000
30	33K-65001-01	FUEL TANK CAP	1			1000
40	33K-61201-J1	FUEL FILTER	1			1000
50	33K-63001-10	FUEL COCK	1			1000
55	33K-61401-01	FUEL STRAINER	1			1000
57	004-36051-20	SCREW and WASHER	1			1000
59	002-18050-00	NUT	1			1000
80	33K-62250-03	RUBBER PIPE	1			1000
90	056-11300-10	HOSE CLAMP	2			1000
108	33K-64101-03	TANK MOUNT	2			1000
110	33K-64001-13	NECK RUBBER	1			1000
120	33K-63002-03	FUEL COCK BRACKET	1			1000
122	011-00600-30	FLANGE BOLT	1			1000
126	002-17060-00	NUT	1			1000
145	33K-58412-13	TANK SPONGE	1			1000
510	33K-62201-00	FUEL PUMP CP	1			1000
522	085-10600-00	RUBBER PIPE	2			1000
532	085-10600-00	RUBBER PIPE	1			1000
533	056-11100-20	HOSE CLAMP	5			1000
534	056-11000-30	HOSE CLAMP	1			1000
540	015-00600-20	TAPPING SCREW	2			1000

SECTION 11 CARBURETOR GROUP

FIG. 1100

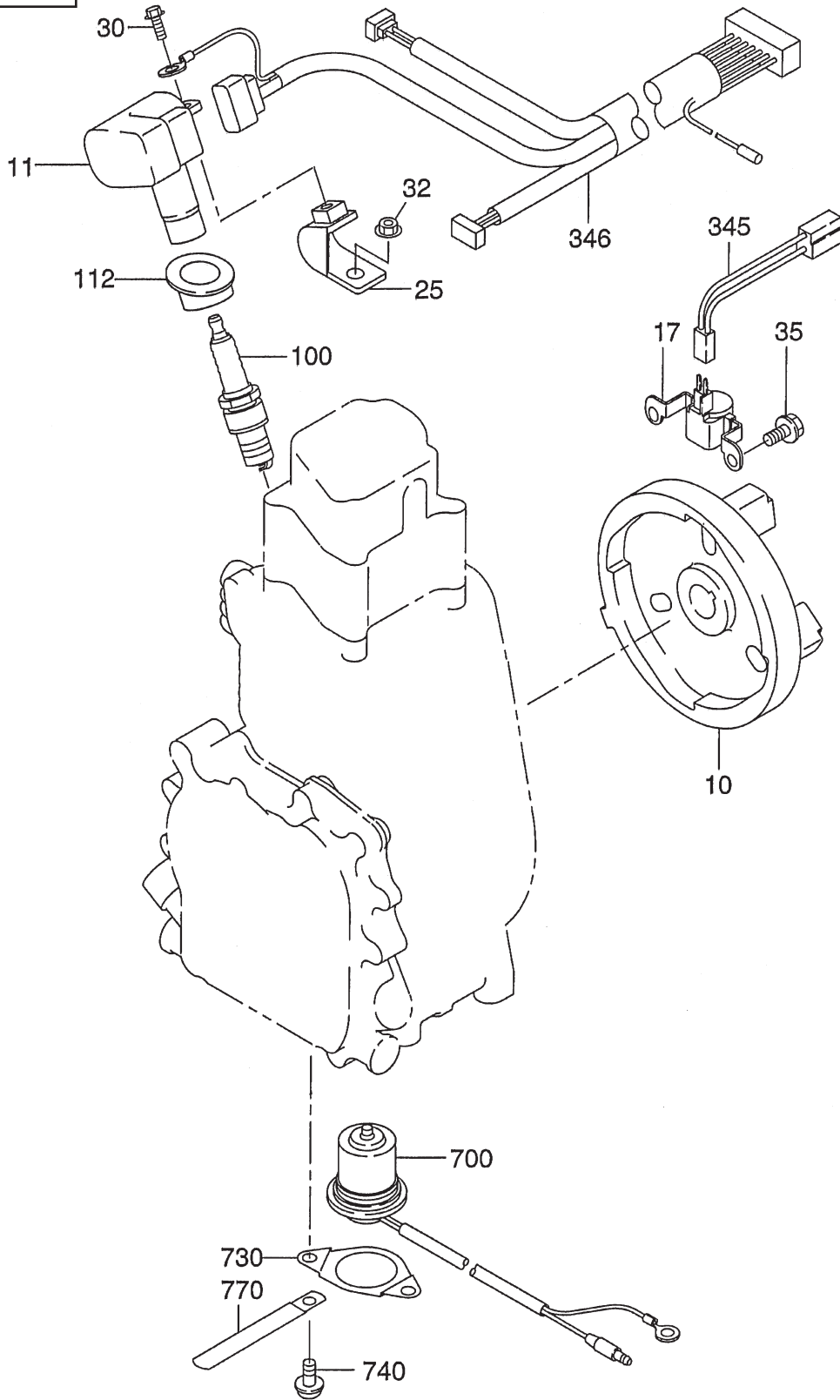


SECTION 11 CARBURETOR GROUP

REF	PART NO	DESCRIPTION	QTY	REMARKS	FROM - TO	FIG
210	284-62302-20	CARBURETOR	1			1100
-1	284-62535-08	THROTTLE VALVE	1			1100
-2	284-62455-08	SCREW	2			1100
-3	284-62525-08	VALVE CHOKE	1			1100
-5	284-62420-08	SLOW JET	1			1100
-8	284-62520-08	CHOKE SHAFT AY	1			1100
-11	284-62531-08	THROTTLE SHAFT AY	1			1100
-12	284-62355-08	SCREW	1			1100
-14	279-62500-08	NEEDLE VALVE AY	1			1100
-15	284-62515-08	FLOAT LEVER PIN	1			1100
-16	284-62550-08	CHAMBER FLOAT AY	1			1100
-17	251-62350-08	GASKET	1			1100
-18	284-62540-08	GASKET, chamber	1			1100
-19	284-62505-08	FLOAT AY	1			1100
-22	284-62400-08	MAIN JET	1			1100
-23	284-62456-08	SCREW	3			1100
-25	284-62445-08	CHOKE SPRING	1			1100
-28	251-62661-08	DRAIN SCREW	1			1100
-32	251-62559-08	BUSH	1			1100
-40	284-62353-08	ADJUST SCREW	1			1100
-41	279-62445-08	SPRING	1			1100
-107	284-62561-08	COLLAR	1			1100
-109	284-62315-08	THROTTLE SPRING	1			1100
-151	284-62451-08	O RING	1			1100
-152	284-62450-08	O RING	1			1100
-155	284-62570-18	BRACKET WIRE	1			1100
-191	284-62566-18	PIPE	1			1100
-400	284-62580-08	MOTOR	1			1100
-402	284-62576-08	MOTOR BRACKET	1			1100
-406	284-62458-08	SCREW	2			1100
-408	284-62457-08	SCREW	5			1100
-410	284-62555-08	JOINT LEVER	1			1100
-412	284-62446-08	SPRING	1			1100
-420	284-62575-08	BRACKET	1			1100
220	085-09300-00	VINYL PIPE	1			1100
221	085-09300-00	VINYL PIPE	1			1100
222	085-09300-00	VINYL PIPE	1			1100
223	284-67101-03	"Y" CONNECTOR	1			1100
225	056-90000-20	PURSE LOCK	1			1100

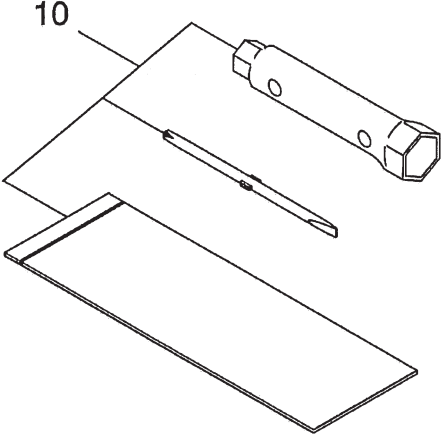
SECTION 12 ELECTRICAL GROUP

FIG. 1200



SECTION 13 ACCESSORIES GROUP

FIG. 1300



PRINTED IN THE USA